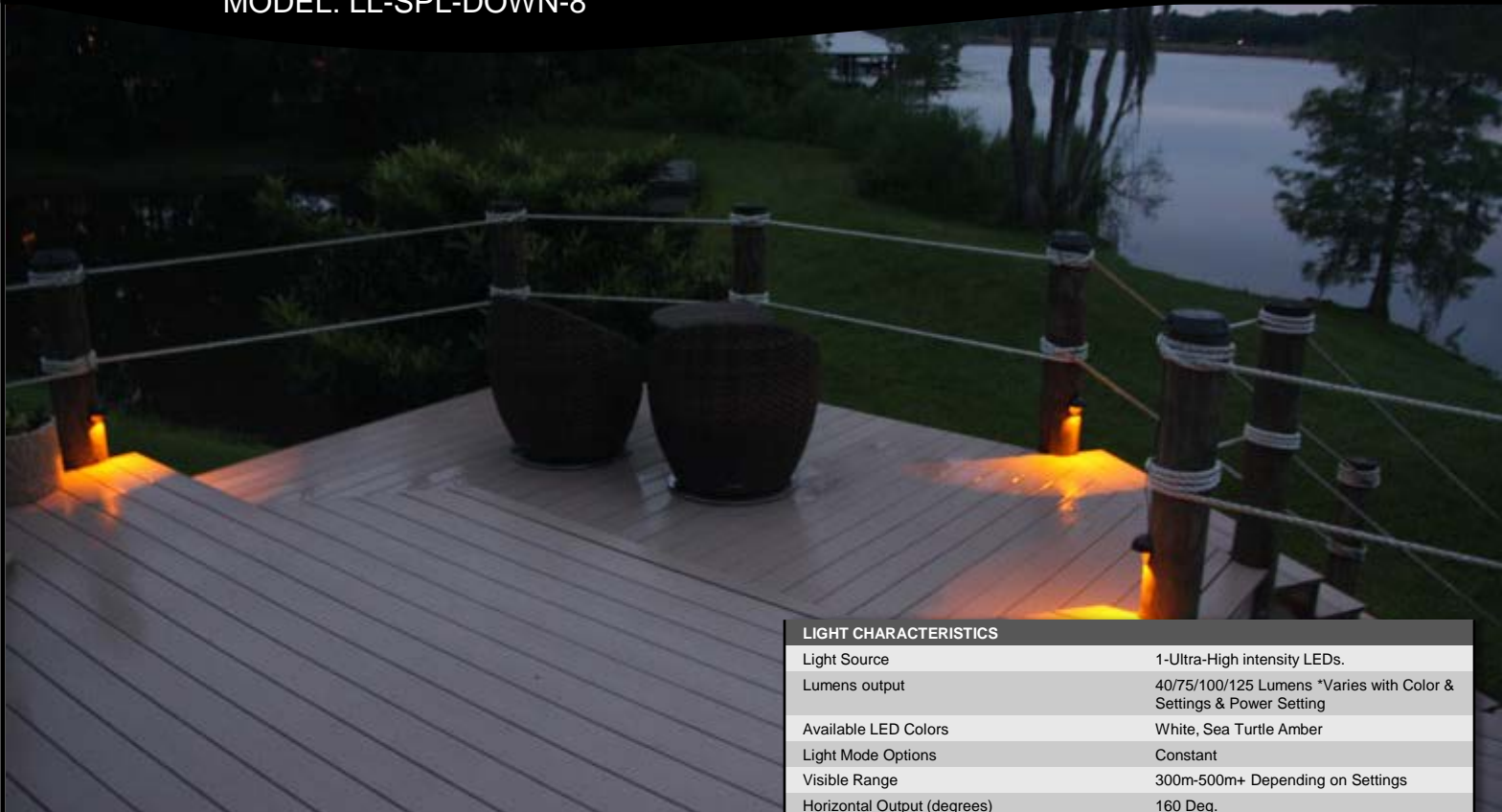


Solar Piling Down Light



MODEL: LL-SPL-DOWN-8



LIGHT CHARACTERISTICS

Light Source	1-Ultra-High intensity LEDs.
Lumens output	40/75/100/125 Lumens *Varies with Color & Settings & Power Setting
Available LED Colors	White, Sea Turtle Amber
Light Mode Options	Constant
Visible Range	300m-500m+ Depending on Settings
Horizontal Output (degrees)	160 Deg.
Vertical Divergence (degrees)	NA
LED Life Expectancy (hours)	> 100,000 hrs

ELECTRICAL CHARACTERISTICS

Circuit Protection	Integrated
Nominal Voltage (v)	3.2v
Autonomy (hours)	16-20hrs *On full Charge
Temperature Range	-10 to 70 C

SOLAR CHARACTERISTICS

Solar Module Type	Multicrystalline or Monocrystalline
Power (watts)	2.4w
Solar Module Efficiency (%)	16-17%

POWER SUPPLY

Battery Type	High Capacity LiFePo4
Battery Size	2pcs Parallel LiFePo4
Battery Capacity (mAh)	2500-3000mA Suggested
Nominal Voltage (v)	3.2v
Battery Service Life	3-6 years (Varies with local Environment)
Battery Service Access	Yes: User Changeable / Replaceable

PHYSICAL CHARACTERISTICS

Body Material	Marine Grade Aluminum
Lens Material	NA
External Lens Design	NA
Internal Lens design	NA – No Lens
Water Proof Rating	IP 68
Mounting	Fits on Pilings or flat surfaces 8" diameter and Larger
Height	42mm
Width / Diameter	204mm
Weight	4 lbs

OPTIONS

Custom Options, Sizes, & Colors	Please Contact
Custom Hardware & Mounting	Please Contact

* Information subject to change without notice

Lake Lite Inc.
2301 Fairfield Ave, Suite 107
Fort Wayne, IN 46807

Phone: 260-918-2758
Fax: 260-918-3540
E-mail sales@lakelite.com

www.lakelite.com
www.solarmarinelites.com

Solar Piling Down Light

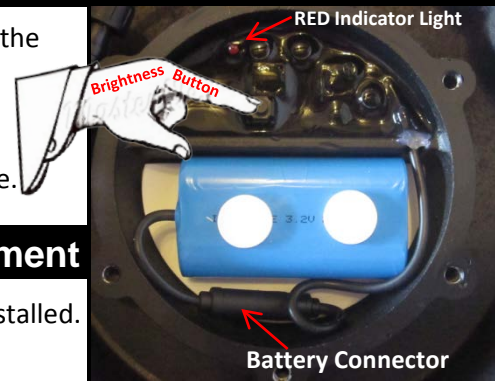
MODEL: LL-SPL-DOWN-8



YOU MUST SET THE POWER LEVEL OF THE LED BEFORE INSTALLING ON YOUR DOCK: FAILURE TO DO SO WILL AFFECT DESIRED PERFORMANCE

Battery Installation

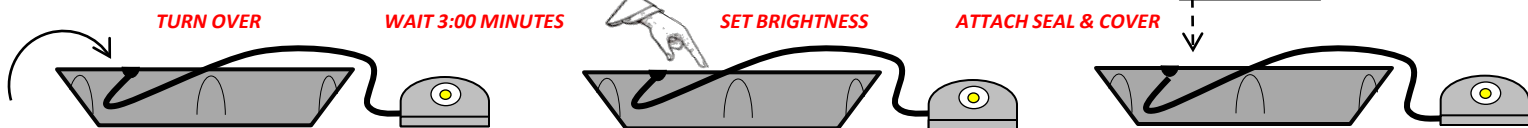
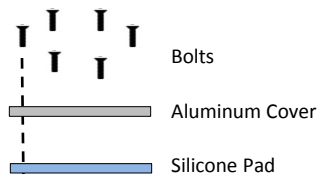
1. Connect the Battery Plug so that both sides snap together fully meeting: this ensures the battery connector is water tight.
2. The RED Indicator LED should flash a few times if the battery is connected properly
3. Place the battery so that the circle foam pads are facing up.
4. Place the connector & cord nicely below the cover level as shown in the below picture.



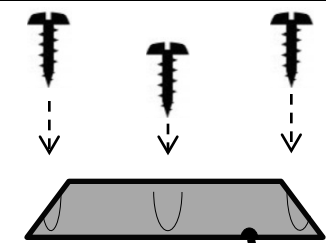
SET THE LED's POWER LEVEL & Closing Battery Compartment

1. Turn Top Unit upside down so that the solar panel is covered: Make sure battery is installed.
2. **WAIT: 3- MINUTES ! Now Push the button to select 1 of the 4 Brightness settings:**
3. **Brightness Settings:** 0=OFF / 1=UPER / 2=HIGH / 3=MEDIUM / 4=LOW
4. **PLEASE NOTE:** BRIGHTNESS WILL DIRECTLY AFFECT RUN TIME PERFORMANCE!
5. For Northern Locations a good Year-Round Setting should be LOW or MEDIUM.
6. For Southern Very Sunny Locations a good Year-Round Setting should be MEDIUM or HIGH
7. NOW Install Silicone Pad & use Alan wrench to tighten the Battery Cover: **TIGHTLY !!!**

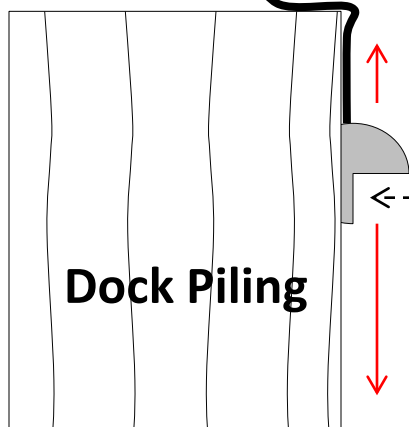
NOTE: Circuit will remember last brightness setting if battery is changed or disconnected & reconnected



Mounting to Dock Piling Instructions



Mount The Top Unit to The Piling: Align Wire Notch with Down Light And wrap excess wire Inside the Top Unit



Use screws that fit Your application

Mount Down Light At desired height Above dock surface

Use screws that fit Your application

APPROXIMATE RUN TIMES WHEN BATTERY IS FULLY CHARGED

SUPER	=	6-7 hrs
HIGH	=	8-9 hrs
MED	=	12-14 hrs
LOW	=	20-22 hrs



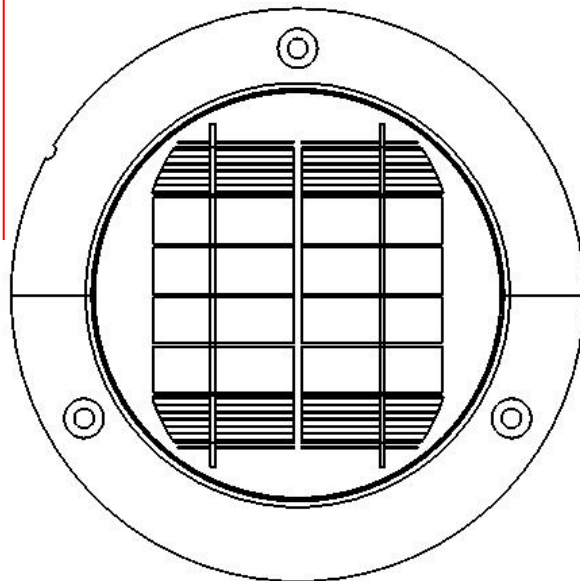
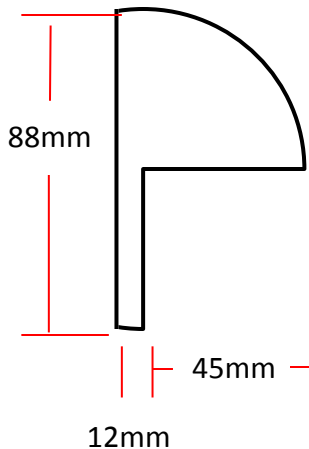
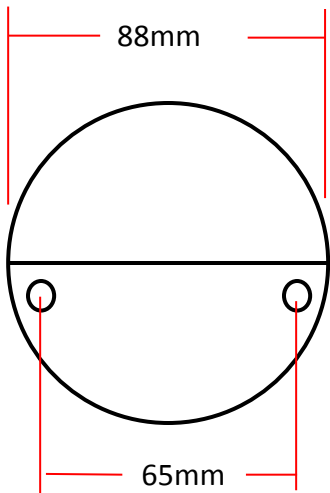
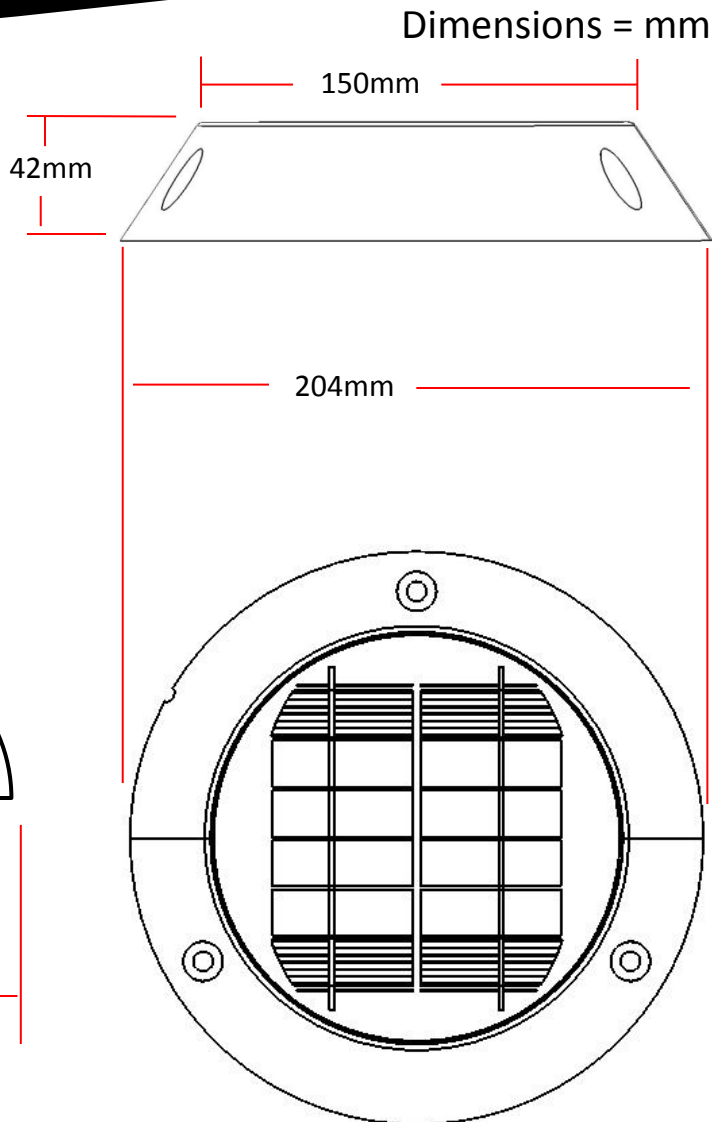
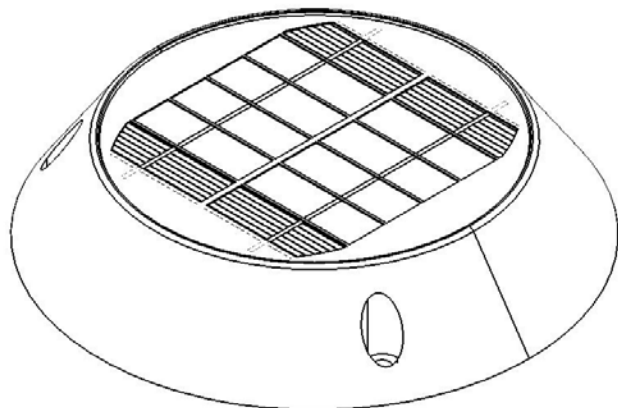
Lake Lite Inc.
2301 Fairfield Ave, Suite 107
Fort Wayne, IN 46807

Phone: 260-918-2758
Fax: 260-918-3540
E-mail sales@lakelite.com

www.lakelite.com
www.solarmarinelites.com

Solar Piling Down Light

MODEL: LL-SPL-DOWN-8



Owner Registration Card

Please fill out and affix proper postage and return this owner registration card **within 10 days** to insure that your new Solar Dock Lite is covered by the limited warranty.

Purchaser's Name _____

Address _____

State _____ Zip _____

Purchase Date: _____ Number of Lights: _____

Where Purchased (Store Name): _____

Model No. LL-SPDL-8-X
UPC No. Varies On Different Models

Lake Lite Inc.
2301 Fairfield Ave, Suite 107, Fort Wayne, IN 46807

Lake Lite Inc. 1-Year Limited Warranty

The retailer warrants the Solar Lites to be free from defects in workmanship and material present at time of shipment from the factory for a period of one year after the date of purchase by the original purchaser. We agree to correct such defects without charge or at our option replace with a comparable or superior model if the product is returned to the retailer. To obtain warranty service, you must present a copy of the receipt as proof of purchase. All costs of removing and reinstalling the product are your responsibility. Damage to any part such as by accident or misuse or improper installation or by affixing any accessories, is not covered by this warranty. There is no other express warranty. The retailer hereby disclaims any and all warranties, including but not limited to, those of merchantability and fitness for a particular purpose to the extent permitted by law. The duration of any implied warranty, which cannot be disclaimed, is limited to the time period as specified in the express warranty. Some states do not allow limitation on how long an implied warranty lasts, so the above limitation may not apply to you. The retailer shall not be liable for incidental, consequential, or special damages arising out of or in connection with product use or performance except as may otherwise be accorded by law. Some states do not allow the exclusion of incidental or consequential damage, so the above exclusion or limitation may apply to you. This warranty gives specific legal rights, and you may also have other rights, which vary from state to state. This warranty supersedes all prior warranties.



Lake Lite Inc.
2301 Fairfield Ave, Suite 107
Fort Wayne, IN 46807

Phone: 260-918-2758
Fax: 260-918-3540
E-mail sales@lakelite.com

www.lakelite.com
www.solarmarinelites.com